



### System No. FF-D-1008

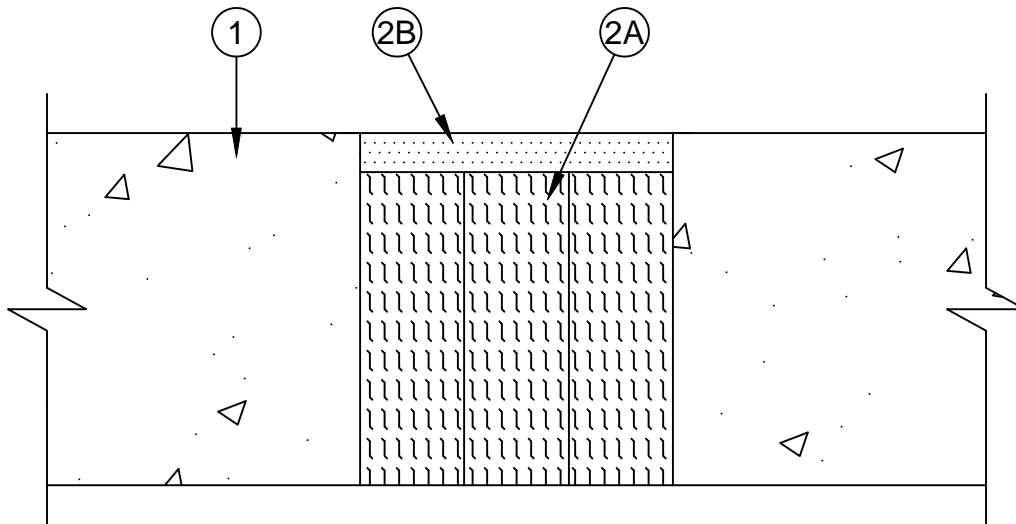
Assembly Rating - 3 Hr

Nominal Joint Width - 4 In.

L Rating At Ambient - Less Than 1 CFM/Lin Ft

L Rating At 400°F - Less Than 1 CFM/Lin Ft

Class II Movement Capabilities - 15% Compression or Extension



1. **Floor Assembly** - Min 4-1/2 in. (114 mm) thick reinforced lightweight or normal weight (100-150 pcf or 1600-2400 kg/m<sup>3</sup>) structural concrete.
  2. **Joint System** - Max width of joint (at time of installation of joint system) is 4 in. (102 mm). The joint system is designed to accommodate a max 15 percent compression or extension from it's installed width. The joint system shall consist of the following:
    - A. **Forming Material\*** - Min 4 pcf (64 kg/m<sup>3</sup>) mineral wool batt insulation installed in joint opening as a permanent form. Pieces of batt cut to min width of 4 in. (102 mm) and installed edge-first into joint opening, parallel with joint direction, such that batt sections are compressed min 33 percent in thickness and that the compressed batt sections are recessed from top surface of the floor as required to accommodate the required thickness of fill material. Adjoining lengths of batt to be tightly-butted with butted seams spaced min 16 in. (406 mm) apart along the length of the joint.  
**IIG MINWOOL L L C** - MinWool-1200 Safing  
**ROCK WOOL MANUFACTURING CO** - Delta Board  
**ROCKWOOL MALAYSIA SDN BHD** - SAFE  
**ROXUL INC** - SAFE  
**THERMAFIBER INC** - Type SAF
    - B. **Fill, Void or Cavity Material\* - Sealant** - Min 1/2 in. (13 mm) thickness of fill material applied within the joint, flush with top surface of floor.  
**SPECIFIED TECHNOLOGIES INC** - SpecSeal ES Sealant
- \* Indicates such products shall bear the UL or cUL Certification Mark for jurisdictions employing the UL or cUL Certification (such as Canada), respectively.



**Specified Technologies Inc. 210 Evans Way Somerville, NJ 08876**

Reproduced courtesy of Underwriters Laboratories, Inc.

Created or Revised: February 28, 2014

(800)992-1180 • (908)526-8000 • FAX (908)231-8415 • E-Mail:techserv@stifirestop.com • Website:www.stifirestop.com



FF-D-1008  
PAGE 1 OF 1