

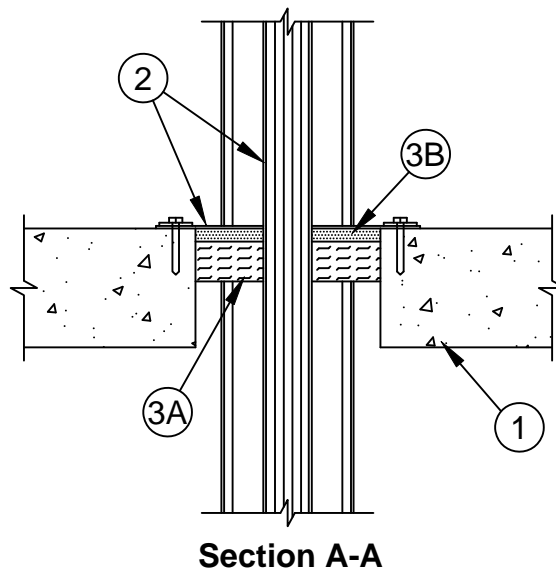
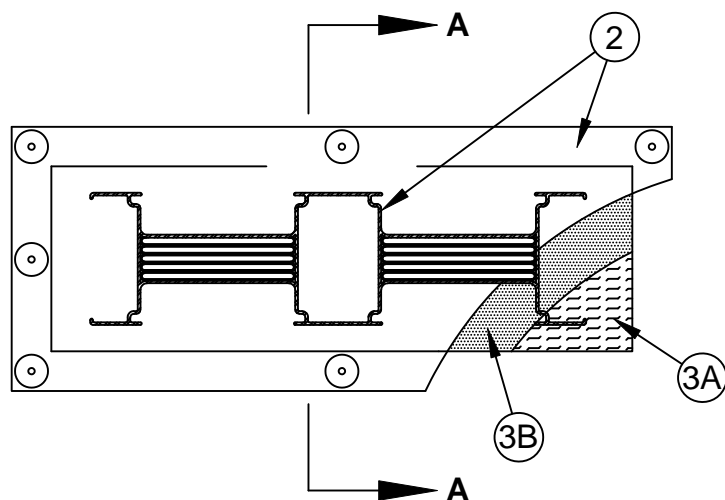
System No. C-AJ-6008

F Rating - 3 Hr

T Rating - 0 Hr

L Rating At Ambient - Less Than 1 CFM/sq ft

L Rating At 400 F - Less Than 1 CFM/sq ft



1. **Floor or Wall Assembly** - Min 4-1/2 in. (114 mm) thick reinforced lightweight or normal weight (100-150 pcf or 1600-2400 kg/m³) concrete. Wall may also be constructed of any UL Classified **Concrete Blocks***. Opening shall be 2 in. (51 mm) to 4 in. (102 mm) greater than length and width dimensions of busway (Item 2).

See **Concrete Blocks** (CAZT) category in the Fire Resistance Directory for names of manufacturers.

2. **Busway+** - Max 19 in. (483 mm) wide by max 6 in. (152 mm) deep "I" shaped aluminum enclosure containing factory mounted copper bars rated for 600 V, 5000 A or max 26 in. (660 mm) wide by max 6 in. (152 mm) deep "I" shaped aluminum enclosure containing factory-mounted aluminum bars rated for 600 V, 4000 A. One busway to be installed within the opening. The annular space between the busway and the periphery of the opening shall be min 1 in. (25 mm) to max 2 in. (51 mm). Busway to be rigidly supported on both sides of floor and wall assembly. The busway shall bear the UL Listing Mark and shall be installed in accordance with all provisions of the National Electrical Code, NFPA 70. After installation of the firestop system (Item 3), a min 3/32 in. (2.4 mm) thick steel cover plate provided by busway manufacturer shall be installed on top surface of floor and both surfaces of wall assembly. Steel cover plate secured in place by means of 1/4 in. (6 mm) diam by 1-3/4 in. (44 mm) long concrete anchors in accordance with busway manufacturer's installation instructions. Steel cover plate is optional when min 4 in. (102 mm) thickness of packing material (Item 3A) is used.
3. **Firestop System** - The firestop system shall consist of the following:
 - A. **Packing Material** - Min 1-1/2 in. (38 mm) thickness of min 4 pcf (64 kg/m³) mineral wool batt insulation firmly packed into opening as a permanent form. Packing material to be recessed from top surface of floor and from both surfaces of wall as required to accommodate the required thickness of fill material.
 - B. **Fill, Void or Cavity Material* - Caulk** - Min 1/2 in. (13 mm) thickness of fill material applied within the annulus, flush with top surface of floor and both surfaces of wall.

SPECIFIED TECHNOLOGIES INC - SpecSeal Series SSS Sealant or SpecSeal LCI Sealant

*Bearing the UL Classification Marking

+Bearing the UL Listing Mark



Specified Technologies Inc. 210 Evans Way Somerville, NJ 08876

Reproduced courtesy of Underwriters Laboratories, Inc.

Created or Revised: April 07, 2009

(800)992-1180 • (908)526-8000 • FAX (908)231-8415 • E-Mail:techserv@stifirestop.com • Website:www.stifirestop.com



C-AJ-6008
PAGE 1 OF 1