

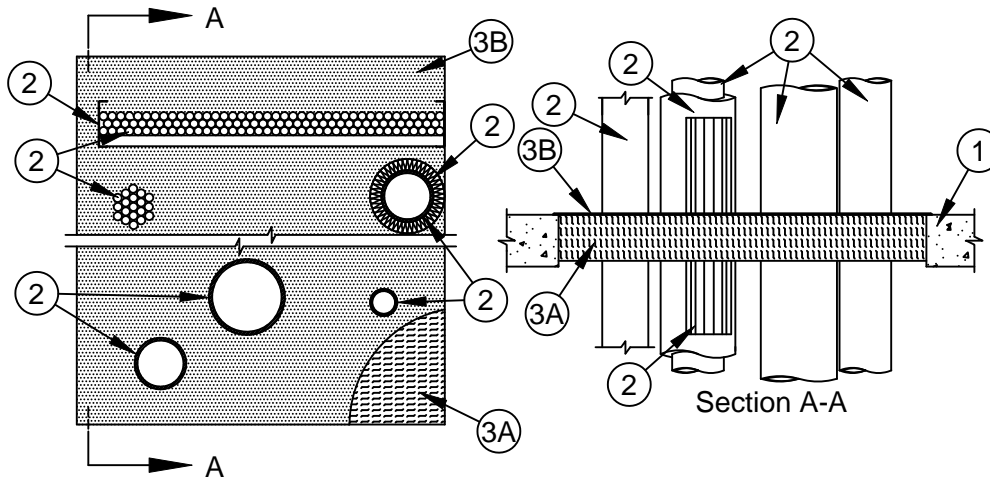


2 HR RATED FIRESTOP SYSTEM USING  
SPECSEAL® FIRESTOP PRODUCTS

NS274301JM

Prepared By: John Mercurio

Date: 10/01/2013



1. Concrete floor min. 114 mm thick or concrete/concrete block wall min. 114 mm thick (wall not shown); max. area of opening shall be 1.95 m<sup>2</sup> with a max. dimension of 2.1 m. Max. annular space shall be 203 mm.
2. Penetrant types and annular space per UL System No. C-AJ-8025. Typical penetrants include:
  - Steel or iron pipe max. 305 mm diam. Rigid steel conduit, copper pipe, or copper tubing max. 152 mm diam.
  - Cable bundles nom. 102 mm diam. (or smaller).
  - Cable tray max. 914 mm wide by max. 152 mm deep.
- 3A. Morgan Thermal Ceramics Superwool® Fibre compressed min. 50 percent into opening and installed to min. 102 mm depth.
- 3B. SpecSeal® AS200 Elastomeric Spray or Cable Spray min. 3.2 mm wet thickness (min. 1.6 mm dry) applied over surface of Morgan Thermal Ceramics Superwool® Fibre with a min. 13 mm lap onto penetrants and periphery of opening on top surface of floor or both surfaces of wall.

NOTE: The listed STI products meet one or more of the following:  
- CAN/ULC-S115: Refer to System C-AJ-8025

***This Design Represents an Engineering Recommendation***

NOTICE: The information contained herein is based upon internal & third party testing which we believe to be accurate. This information is provided for engineering purposes only and unless otherwise noted, relates to fire-resistance properties only. The user must determine the suitability of the product and the design to the intended application. Since the use of the product is beyond our control, Specified Technologies Inc.'s only responsibility shall be to refund or replace materials found to be defective as per our standard warranty.

Project Name

Address

Contractor

Address